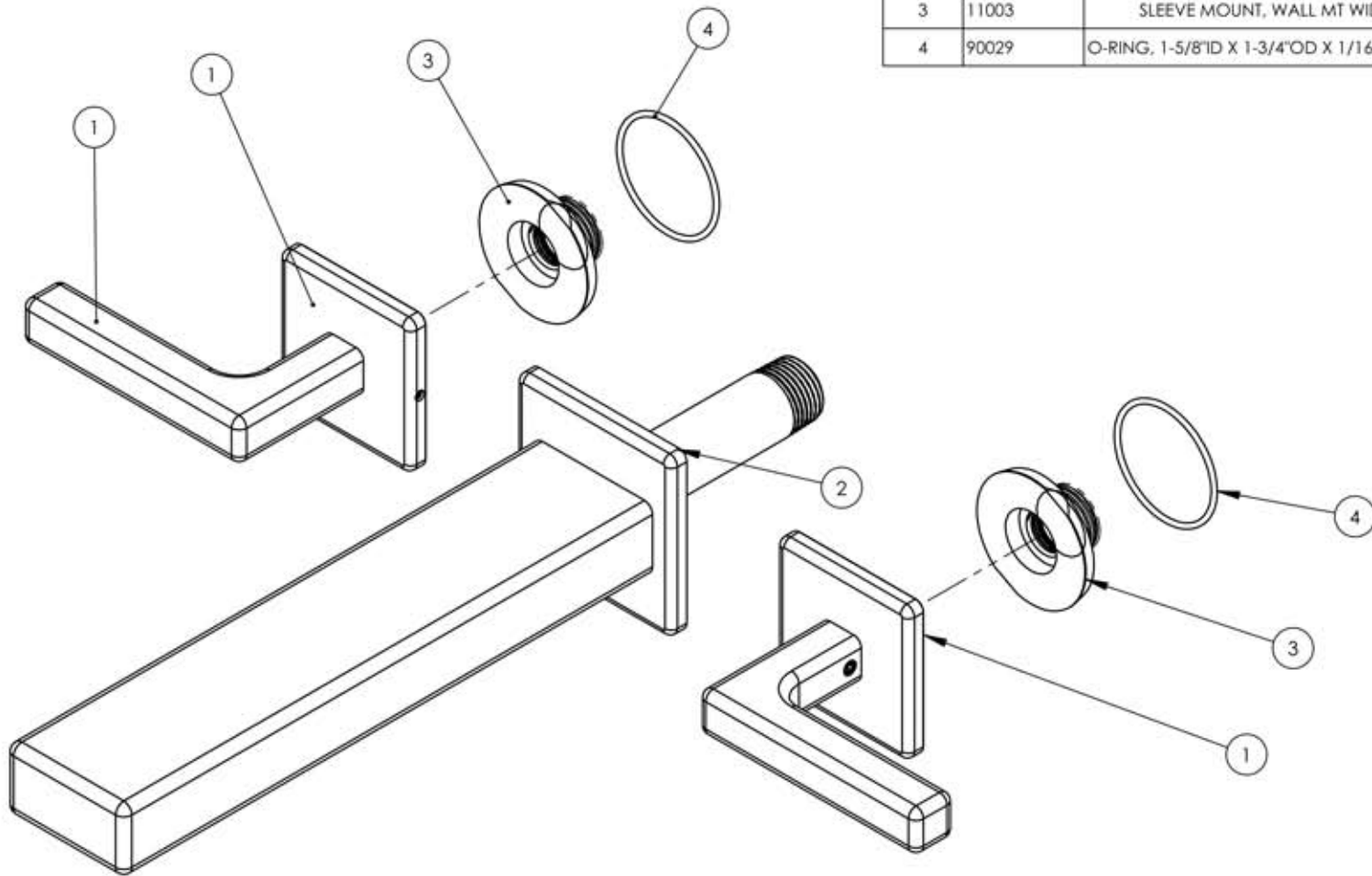


ITEM NO.	PART NUMBER	DESCRIPTION	QTY.
1	3-100/00	ASSY, HANDLE LEVER MIX SERIES	2
2	3-124/00	WALL TUB SPOUT, MIX SERIES	1
3	11003	SLEEVE MOUNT, WALL MT WIDESPREAD	2
4	90029	O-RING, 1-5/8"ID X 1-3/4"OD X 1/16"THK, AS-568-029	2



ZONE	REV.	DESCRIPTION	DATE	APPROVED
REVISIONS				
1261 LOGAN AVENUE COSTA MESA, CALIFORNIA 92626 PHONE: 714.361.4800 FAX: 714.617.3120		PHYLORICH®	PROPRIETARY AND CONFIDENTIAL	
Defining Luxury Since 1959			THE INFORMATION CONTAINED IN THIS DRAWING IS THE SOLE PROPERTY OF R3S MANUFACTURING. ANY REPRODUCTION IN PART OR AS A WHOLE WITHOUT THE WRITTEN PERMISSION OF R3S MANUFACTURING IS PROHIBITED.	

-	-	INTERPRET GEOMETRIC DIMENSIONING & TOLERANCING IN ACCORDANCE WITH ASME Y14.5-2009 & ASME Y14.41-2003 STANDARDS. UNLESS OTHERWISE SPECIFIED, DIMENSIONS ARE IN INCHES. TOLERANCES ARE:		
-	-			
-	-			
NEXT ASSY	USED ON	FRACTIONS ±1/64"	DECIMALS X.X: ±.1 X.XX: ±.01 X.XXX: ±.005	ANGULAR ±.5°
APPLICATION		MATERIAL	NAME	DATE
FINISH		DRAWN	5/31/2013	
DO NOT SCALE DRAWING		CHECKED		

WALL TUB SET, 290 MIX SERIES, LEVER

SIZE	ASM/PRT NO.	REV
A	290-57	
SCALE: 1:1	WEIGHT: lbs.	SHEET 1 OF 2

5

4

3

2

1